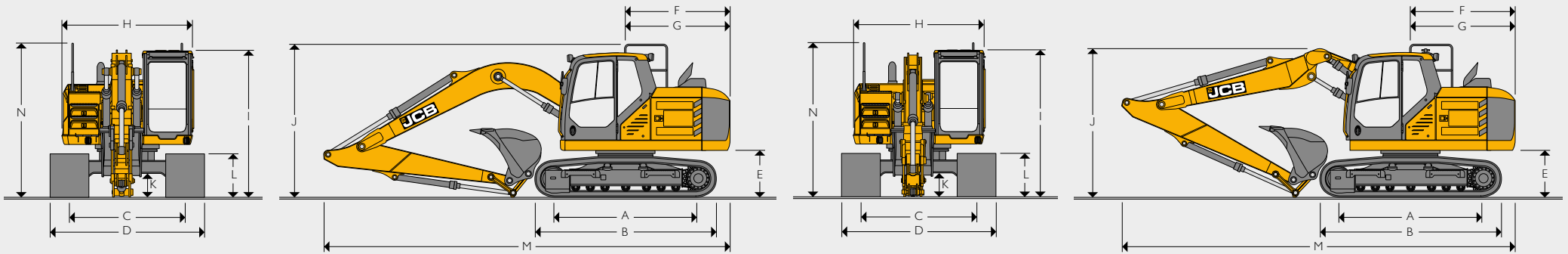


140 | 150X  
SERIES



# SPECIFICATION I40X/I50X

## STATIC DIMENSIONS



## STATIC DIMENSIONS

Model		I40X LC			I50X LC			I50X HD									
A	Track length on ground	mm	2865			2865			3090								
B	Undercarriage overall length	mm	3590			3590			3940								
C	Track gauge	mm	1990			1990			2200								
D	Width over tracks (500 mm trackshoes)	mm	2490			2490			-								
D	Width over tracks (600 mm trackshoes)	mm	2590			2590			2800								
D	Width over tracks (700 mm trackshoes)	mm	2690			2690			2900								
D	Width over tracks (800mm trackshoes)	mm	-			-			3000								
D	Width over tracks (850 mm trackshoes)	mm	2840			2840			-								
D	Width over tracks (900 mm trackshoes)	mm	-			-			3100								
E	Counterweight clearance	mm	905			905			1050								
F	Tail length	mm	2103			2103			2103								
G	Tail swing radius	mm	2150			2150			2150								
H	Width of upper superstructure	mm	2490			2490			2490								
H	Width of upper superstructure (with SIPS)	mm	2619			2619			2619								
I	Height over cab	mm	2866			2866			2916								
I	Height over cab (vandal guard – optional)	mm	3172			3172			3319								
I	Height over cab (FOPS guard)	mm	2965			2965			3112								
J	Height over grab rail	mm	3002			3002			3149								
K	Ground clearance	mm	425			425			470								
L	Track height	mm	811			811			880								
			Mono			Mono			T.A.B			Mono			T.A.B		
Dipper lengths			2.5m	2.7m	3.0m	2.5m	2.7m	3.0m	2.5m	2.7m	3.0m	2.5m	2.7m	3.0m	2.5m	2.7m	3.0m
M	Transport length	mm	7659	7654	7604	7659	7654	7604	7726	7892	7628	7659	7654	7604	7726	7892	7628
N	Transport height	mm	3002	3209	3289	3002	3209	3289	3002	2908	3236	3149	3356	3543	3149	3356	3543

ENGINE		
	I40X	I50X
Model	JCB Dieselmex 448 TCA EU Stage V	
Type	4-stroke, 4-cylinder in-line, common rail, direct injection, turbocharged and intercooled diesel	
Rated power	81kW (109 hp) at 2200rpm (ISO I4396)	
Piston displacement	4.765 litres	
Air filtration	Dry element with secondary safety element and in cab warning indicator	
Starting system	24 volt	
Batteries	2 x 12 volt	
Alternator	28 volt – 100 ampere	
Maximum torque	516Nm	
Bore and stroke	106mm & 135mm	

SWING SYSTEM	
Swing motor	Axial piston
Swing brake	Hydraulic braking plus automatic spring applied disc type parking brake
Swing torque	36.0 KNm
Swing speed	13.1 rpm
Swing gear	Large diameter, internally toothed fully sealed grease bath lubricated
Dipstick	Remote

TRACK DRIVE		
Type	Fully hydrostatic, two speed with autoshift	
Travel motors	Variable swash axial piston type, fully guarded within undercarriage frame	
Final drive	Planetary reduction, bolt-on sprockets	
Service brake	Hydraulic counter balance valve	
Park brake	Disc type, spring applied, automatic hydraulic release	
Gradeability	70% (35 deg) continuous	
Travel speed	<b>I40X LC/I50X LC</b>	<b>I50X HD</b>
	High – 6.6 km/h	High – 4.3 km/h
	Low – 3.8 km/h	Low – 2.5 km/h
Tractive effort	116 kNm	194,3 kNm

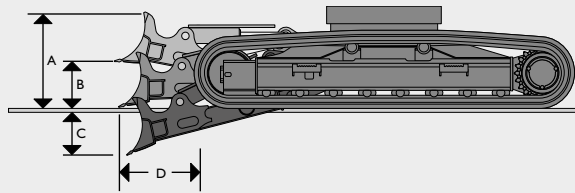
HYDRAULIC SYSTEM			
<b>Pumps</b>			
Main pumps	2 variable displacement axial piston type		
Maximum flow	2 X 130 l/min		
Servo pump	Gear type		
Servo pump maximum flow	30 l/min		
<b>Control valve</b>			
A combined four and five spool control valve with auxiliary service spool as standard			
<b>Relief valve settings</b>			
Boom/Arm/Bucket	314 bar		
With power boost	343 bar		
Swing circuit	279 bar		
Travel circuit	343 bar		
Pilot control	40 bar		
<b>Filtration</b>			
In tank	105 micron, suction strainer		
Main return line	10 micron, glass fibre element		
Pilot drain line	10 micron, glass fibre element		
Pilot line	10 micron, glass fibre element		
Hydraulic hammer return	10 micron, reinforced microform element		
<b>Hydraulic cylinders</b>			
	<b>Quantity</b>	<b>Bore mm</b>	<b>Rod diameter mm</b>
Boom	2	100	75
Arm	1	115	80
Bucket	1	100	70
TAB	1	140	75

## SPECIFICATION I40X/I50X

### SERVICE CAPACITIES

Fuel tank	Litres	260
Engine coolant	Litres	19.7
Engine oil	Litres	14
Swing reduction gear	Litres	2.2
Track reduction gear (each side)	Litres	3.5
Hydraulic system	Litres	126
Hydraulic tank	Litres	133
DEF fluid	Litres	47.7

### OPTIONAL BLADE



A	Blade height	mm	901
B	Blade lift above ground	mm	448
C	Blade cut below ground	mm	508
D	Blade forward of track	mm	412
	Dozer width – 500mm tracks	mm	2490
	Dozer width – 600mm tracks	mm	2610
	Dozer width – 700mm tracks	mm	2710
<b>Additional machine weight with blade</b>			
	500mm tracks	kg	806
	600mm tracks	kg	814
	700mm tracks	kg	821

### SOUND LEVEL

Sound level in cab according to ISO 6396	67 dB LpA
External sound level according to ISO 6395 and EU Directive 2000/14/EC	100 dB LwA

### UNDERCARRIAGE

Carriage options	LC – Long Carriage, HD – Heavy Duty Carriage.					
Construction	Fully welded 'X' frame type with central bellyguarding and sloping sidemembers with dirt relief holes under top rollers.					
Recovery point	Front and rear.					
Track type	Sealed and lubricated.					
Upper and lower rollers	Heat treated, sealed and lubricated.					
Track adjustment	Grease cylinder type.					
Track idler	Sealed and lubricated, with spring cushioned recoil.					
Track shoe options	500mm	600mm	700mm	800mm (HD only)	850mm	900mm (HD only)
	•▲■	•■	•	•	•	•
No. of upper rollers (per side)	2					
No. of lower rollers (per side)	7					
No. of track guides (per side)	2 optional on I40X and I50X, 1 standard on I50X HD with 2 optional					
No. of track shoes (per side)	44 (43 on HD)					

**TRIPLE GROUSER** ●  
**GEOGRIP** ▲  
**RUBBER SHOES** ■

### WEIGHTS AND GROUND BEARING PRESSURES

Figures include standard 442kg bucket, operator, full fuel tank and 2.5m dipper.

		500mm shoes	600mm shoes	700mm shoes	800mm shoes	850mm shoes	900mm shoes
<b>I40X LC Monoboomb</b>							
Machine weight	kg	14521	14737	14952	-	15275	-
Ground bearing pressure	kg/cm <sup>2</sup>	0.51	0.43	0.37	-	0.31	-
<b>I50X LC Monoboomb</b>							
Machine weight	kg	15121	15337	15552	-	15875	-
Ground bearing pressure	kg/cm <sup>2</sup>	0.53	0.45	0.39	-	0.33	-
<b>I50X LC T.A.B.</b>							
Machine weight	kg	15588	15803	16019	-	16342	-
Ground bearing pressure	kg/cm <sup>2</sup>	0.54	0.46	0.40	-	0.34	-
<b>I50X HD Monoboomb</b>							
Machine weight	kg	-	16684	16920	17159	-	17394
Ground bearing pressure	kg/cm <sup>2</sup>	-	0.45	0.39	0.35	-	0.31
<b>I50X HD T.A.B.</b>							
Machine weight	kg	-	17151	17387	17625	-	17861
Ground bearing pressure	kg/cm <sup>2</sup>	-	0.46	0.40	0.36	-	0.32

Your nearest JCB dealer

JCB Sales Limited, Rokester, Staffordshire, United Kingdom ST14 5JP.  
Tel: +44 (0)1889 590312 Email: [salesinfo@jcb.com](mailto:salesinfo@jcb.com)  
Download the very latest information on this product range at: [www.jcb.com](http://www.jcb.com)

29158 en-GB 02/21 Issue 4

©2021 JCB Sales. All rights reserved. No part of this publication may be reproduced, stored in a retrieval system, or transmitted in any form or by any other means, electronic, mechanical, photocopying or otherwise, without prior permission from JCB Sales. All references in this publication to operating weights, sizes, capacities and other performance measurements are provided for guidance only and may vary dependant upon the exact specification of machine. They should not therefore be relied upon in relation to suitability for a particular application. Guidance and advice should always be sought from your JCB Dealer. JCB reserves the right to change specifications without notice. Illustrations and specifications shown may include optional equipment and accessories. The JCB logo is a registered trademark of J.C. Bamford Excavators Ltd.

